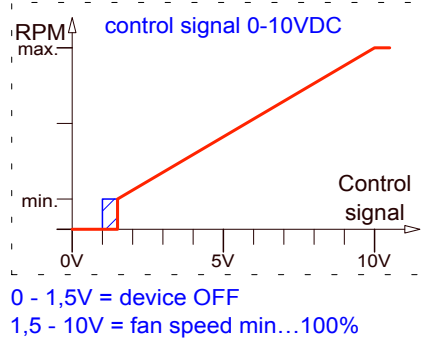
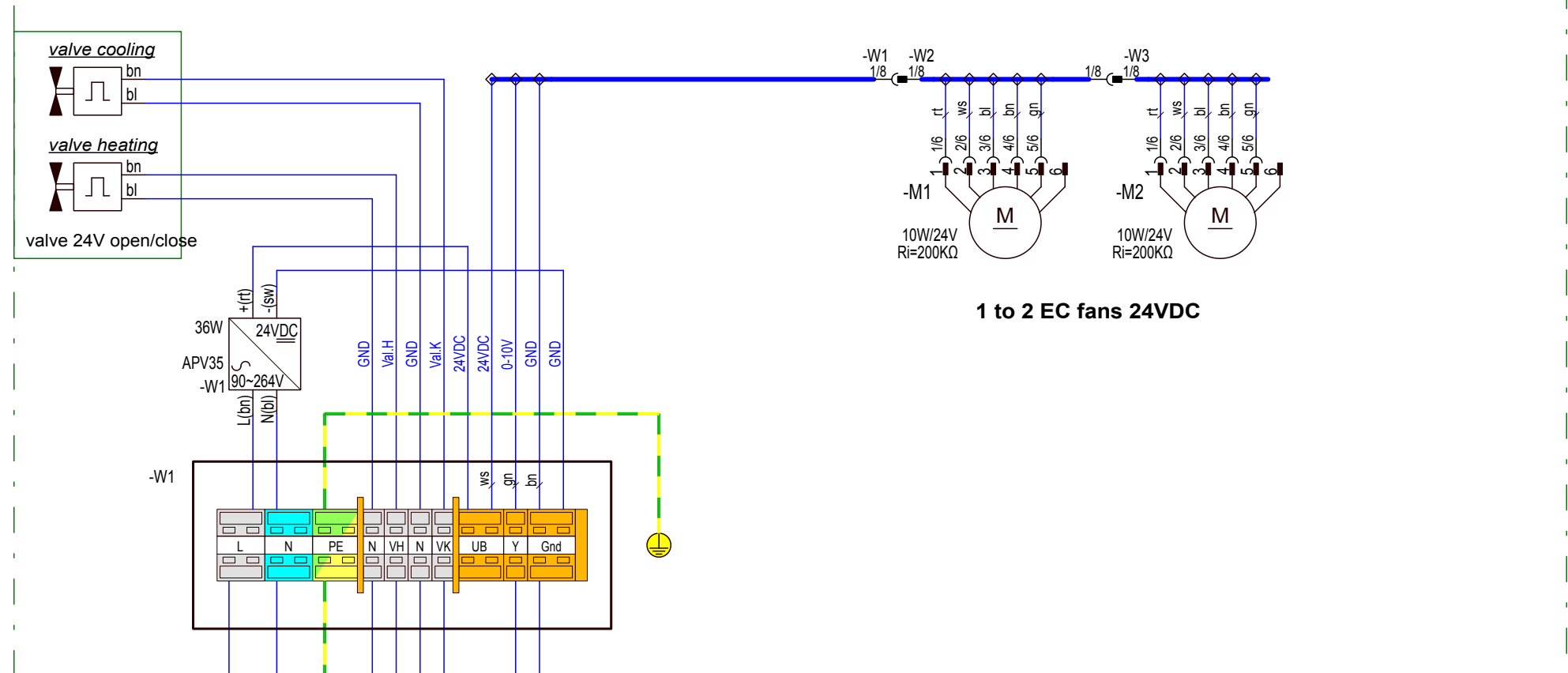


### control via BMS-system



### Katherm HK

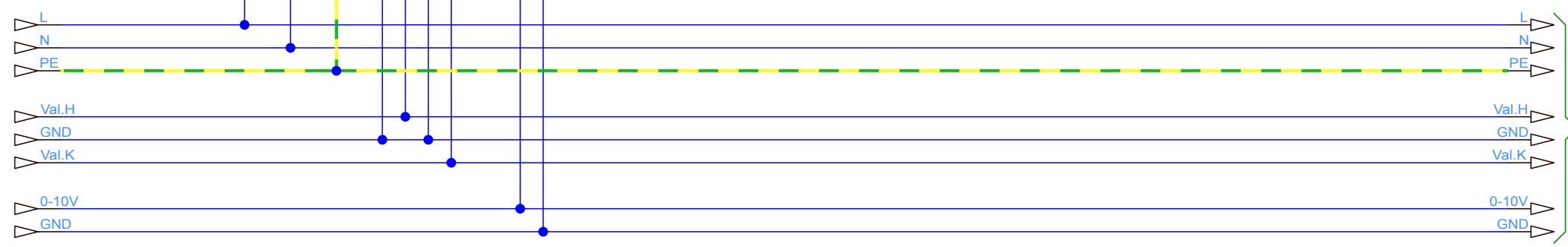


1 to 2 EC fans 24VDC

Mains: 230V / 50Hz  
(Fuses by others)

control valves  
24VDC

control 0-10VDC



to other devices in this group

Article number	length	fan	Ri	power
1430xxxxxxx0 00	1050 mm	1	200 KΩ	9,8 W
1430xxxxxxx20 00	1250 mm	1	200 KΩ	16,5 W
1430xxxxxxx35 00	2000 mm	2	100 KΩ	26,3 W

The power consumption of the actuators are not considered

Prüf-BK14 ID: 9000214, EC-230VAC n.Z: 12744		(GB)	Date	Name
		Proc.	07.04.2015	B.Jaske
		Checked		T.Beckmann
		Standard		
		Origin		
Index	Revision	Date	Name	Replacement for

**KAMPMANN**  
Genau mein Klima.

Tel: +49 (0) 591 - 7108-0 Fax: 7108-300  
E-Mail: info@kampmann.de  
Internet: www.kampmann.de

Product group	1.43	Designation	Katherm HK 340/190, electromechanical, 2/4 pipe, QL80 EC blower, bis Baulänge 2000mm control 0-10VDC via BMS-system	
Article number		Type	00	Project Number
MAT number	1226083	CAD	13415	Page 1 of 1
Order Number		plant:		Location:

**COPYRIGHT RESERVED - Drawing contains information which has been developed by us and is protected. It must not be made accessible to 3rd persons, competitors in particular, without our prior authorisation. Infringements will lead to a claim for damages !**